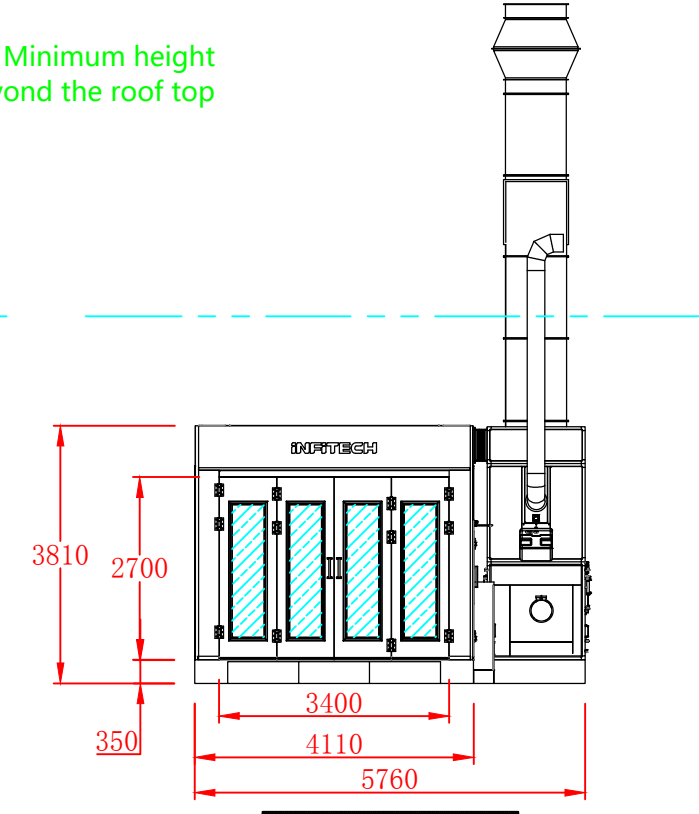
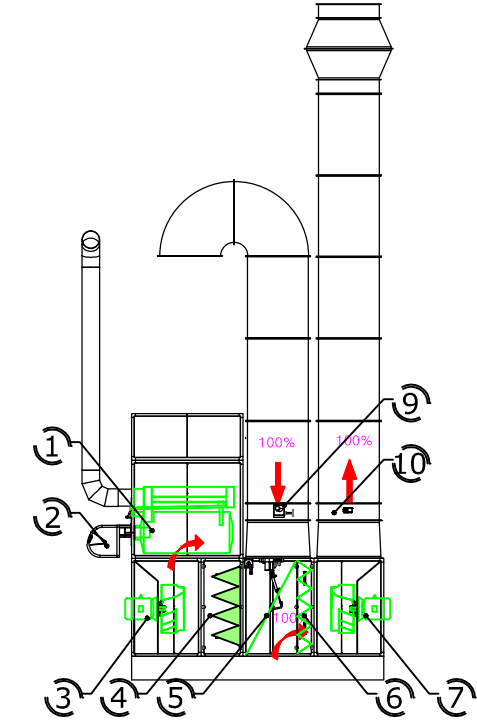


SIDE VIEW

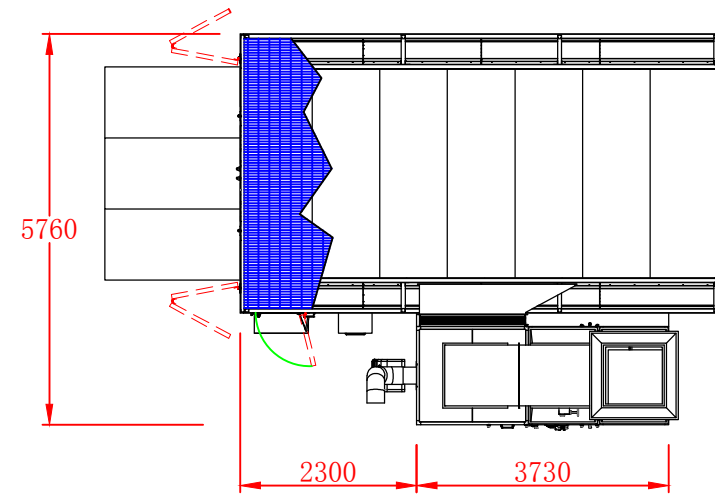


FRONTAL VIEW

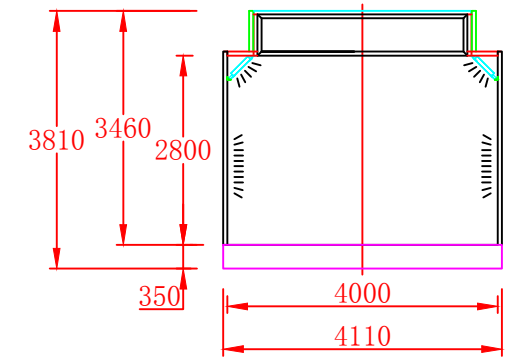
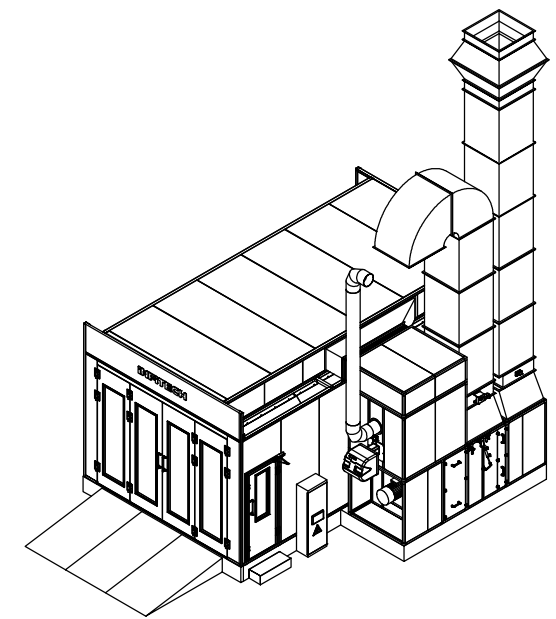


- 1. 315KW SUS304 HEAT EXCHANGER
- 2. RL-34-2 FUEL OIL BURNER
- 3. 11KW INTAKE AIR FANS(35000m<sup>3</sup>/h , 600pa)
- 4. PREFILTRATION FILTER BAGS
- 5. CYCLE DAMPER FOR SPRAYING/OVEN PHASE
- 6. POSTFILTRATION FILTER
- 7. 11KW OUTLET AIR FANS(35000m<sup>3</sup>/h , 600pa)
- 8. ELECTRIC POWER AND CONTROL PANEL
- 9. MANUALLY DAMPER
- 10. ELECTRICAL DAMPER

Generator system



PLANT



A-A VIEW

<b>INFITECH<sup>®</sup></b>				<b>Spray Booth IT-1101</b>				<b>Product Model</b>		
								<b>Part No.</b>		
Designed		Date:		Material	Quantity	Weight	Scale	Unit	mm	
Drawn		Date:			1		1:1	Revision No.		
Checked		Date:								
Approved		Date:		View		Total Page	,Page	Description		