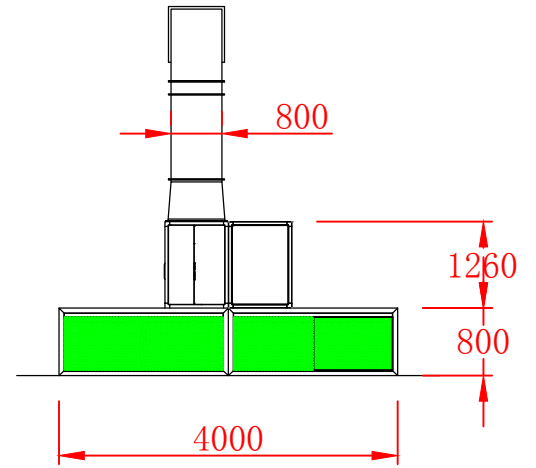
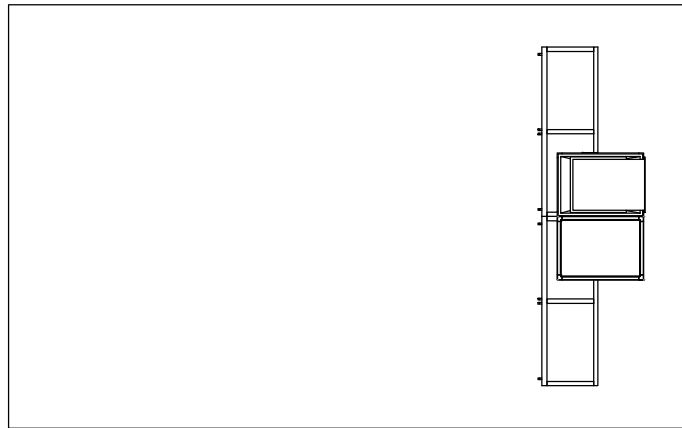


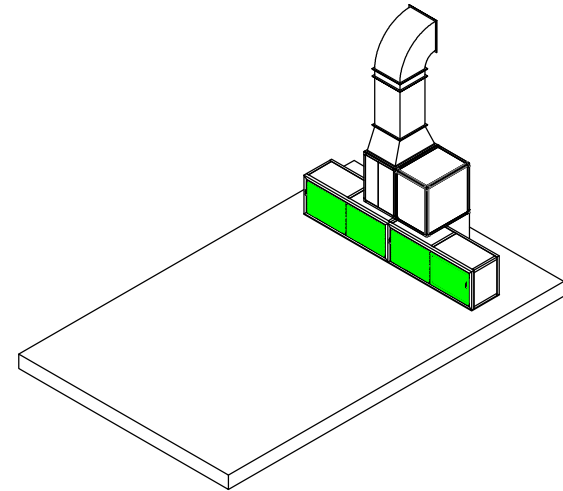
SIDE VIEW


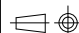


FRONTAL VIEW



PLANT



				IT-6100C				Product Model		
								Part No.		
Designed		Date:		Material	Quantity	Weight	Scale	Unit	mm	
Drawn		Date:			1		1:1	Recision No.		
Checked		Date:						Description		
Approved		Date:		View		Total Page	,Page			